

PX1 402AU

100CM LINEA GAS COOKTOP

MADE IN ITALY
Since 1948



Dimensions	1000mmW x 395mmD x 58mmH (height excludes knobs and trivets)
Finish	Stainless Steel
Capacity	4 Burner Left (wok) 14.6 mj/hr Centre Left 4.7 mj/hr Centre Right 6.1 mj/hr Right: 10.8 mj/hr
Warranty	Five years parts and labour

CAST IRON TRIVETS

The solid cast-iron trivets cover the cooktop, creating a harmonious and ergonomic surface onto which pots can be placed and moved safely and securely. In addition to providing a highly professional look, these ensure excellent performance, which remains unaffected over time.

TRIPLE WOK BURNER

Located on the left, this large and versatile burner suits woks, pots, saucepans and griddles. Whether it's used for easy stir-fry meals or controllable low simmers, it adds a whole new repertoire to your cooking.

FLAME FAILURE DEVICE

Safety fitted to all burners, the Flame Failure Device ensures that should a flame be extinguished accidentally, the gas supply to the specific burner is stopped. The burner can only then be reignited by following normal ignition procedure.

ELECTRONIC IGNITION

Comfortably reignite the flame with automatic electronic ignition technology. Simply turn the dial during the ignition process for precise control of heat distribution that is both safe and convenient.



PX1 402AU

100CM LINEA GAS COOKTOP

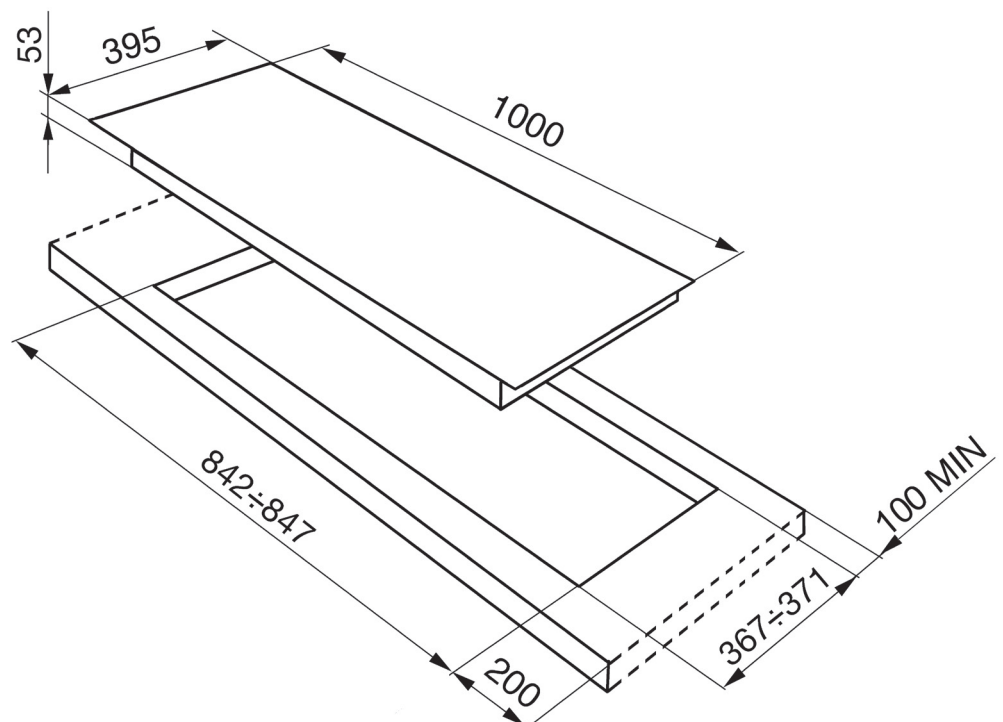
MADE IN ITALY
Since 1948

COOKTOP FEATURES

Dimensions	1000mmW x 395mmD x 58mmH (height excludes knobs and trivets)
Finish	Stainless Steel
Installation	Topmount
Capacity	4 Burner Left (wok) 14.6 mj/hr Centre Left 4.7 mj/hr Centre Right 6.1 mj/hr Right: 10.8 mj/hr
Ignition	Automatic electronic
Gas Connection	Fitted for natural gas: regulator supplied adaptable for ULPG: no regulator required
Power	220-240 V 50/60Hz 10A
Safety	Flame failure device (FFD) fitted to each burner
Warranty	Five years parts and labour

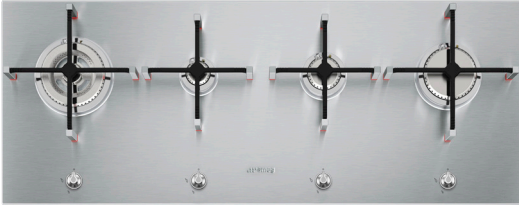
SUPPLIED ACCESSORIES

1 x set of cast-iron trivets

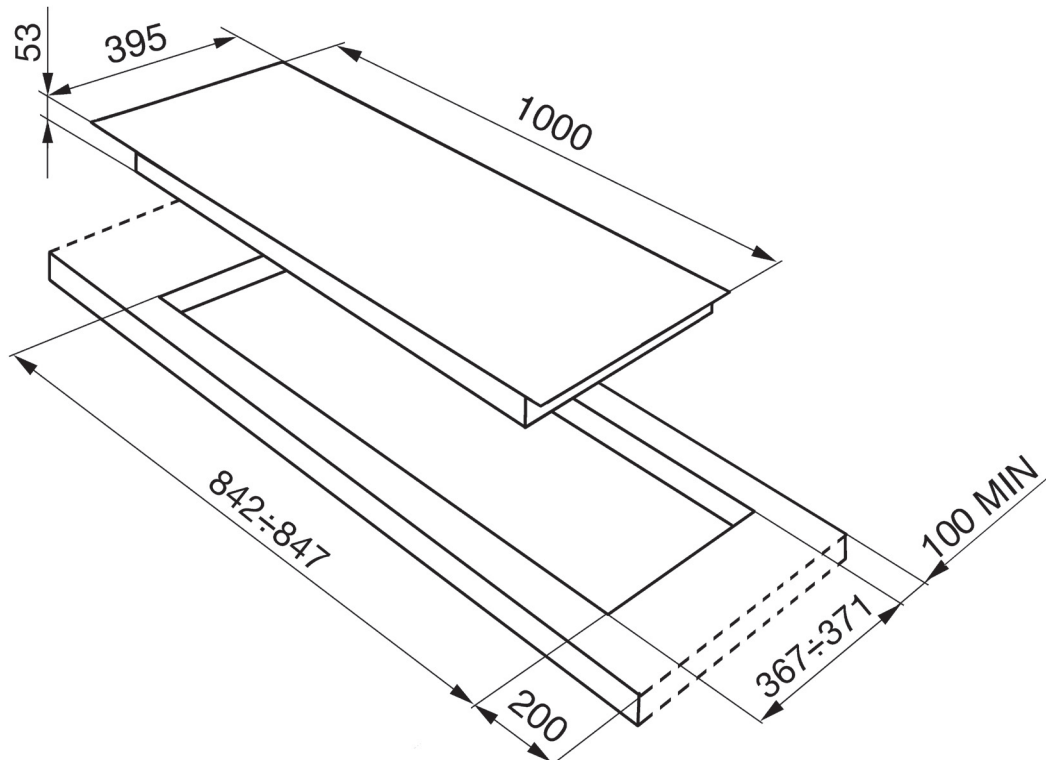


PX1 402AU
100CM LINEA GAS COOKTOP

MADE IN ITALY
Since 1948



Dimensions	1000mmW x 395mmD x 58mmH (height excludes knobs and trivets)
Power	220-240 V 50/60Hz 10A
Warranty	Five years parts and labour



PLEASE NOTE: drawings are not to scale. They are to assist only.
WARNING: technical specifications and product sizes can be varied by the manufacturer without notice.
Cutouts for appliances should only be by physical product measurements. The above information is indicative only.